

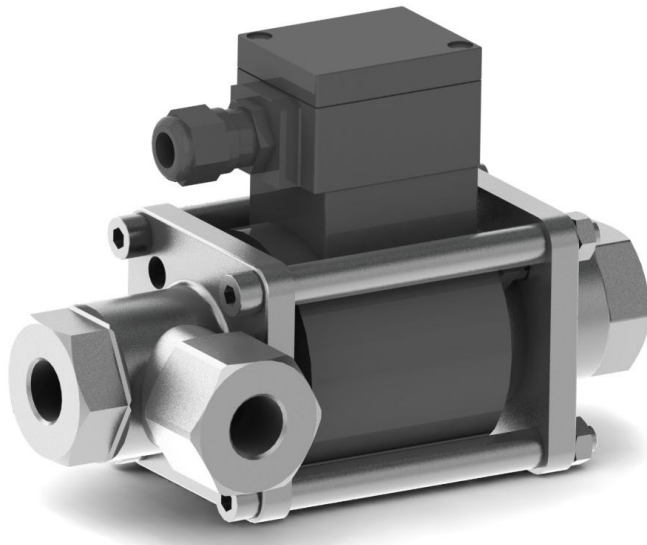
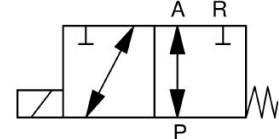
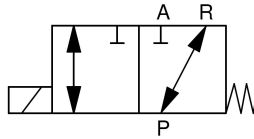
3/2-Wege Coaxialventil Ex 3/2-way coaxial valve Ex

Baureihe 390 Type 390

direktgesteuert
direct acting

Schaltfunktion A: NC (stromlos geschlossen)
function A: NC (normally closed)

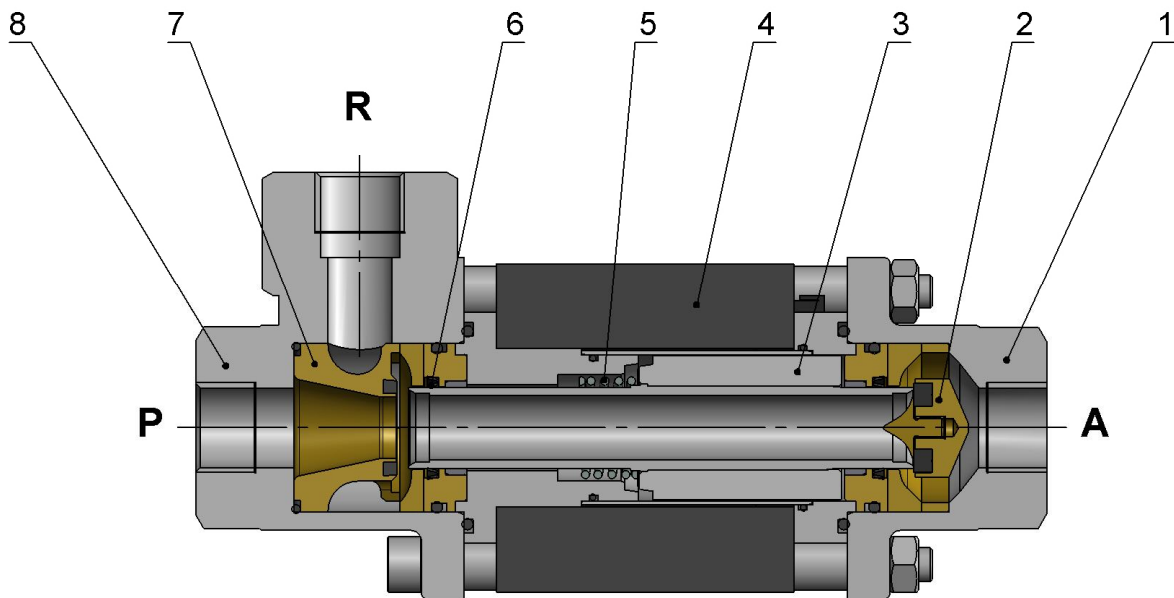
Schaltfunktion B: NO (stromlos offen)
function B: NO (normally open)



| | | | |
|---------------------------|---|---------------------------|---|
| Nennweite | DN 10, DN 15 | diameter | DN 10, DN 15 |
| Druckbereich | 0 – max. 20bar gegendrückt bis max. 16bar | pressure range | 0 – max. 20bar backpressure leakproof up to max. 16bar |
| Gehäusewerkstoff | Messing, 1.4305, 1.4571 | body material | brass, AISI 303, AISI 316 |
| Dichtwerkstoff | statisch: FKM dynamisch: PTFE Sitzdichtung: FKM | seal material | static: FKM dynamic: PTFE seat seal: FKM |
| Temperatur | Medium: -20 bis +40°C Umgebung: -30 bis +40°C | temperature | media: -20 up to +40°C ambient: -30 up to +40°C |
| Anschluss | G1/4 – G3/4 | connection | G1/4 – G3/4 |
| Durchflussrichtung | P → A max. 20bar A → P max. 16bar | flow direction | P → A max. 20bar A → P max. 16bar |
| Elektr. Anschluss | Kabelverschraubung M16x1,5 | electr. connection | cable connection M16x1,5 |
| Anschlussspannung | 230V 50Hz, 24V DC | nominal voltage | 230V 50Hz, 24V DC |
| Spannungstoleranz | + / - 10% nach VDE 0580 | voltage tolerance | + / - 10% acc. VDE 0580 |
| Einschaltdauer | 100% ED | duty factor | 100% ED |
| Explosionsschutz | II 2G Ex em II T4 II 2 D td A21 IP65 T130°C | explosion proof | II 2G Ex em II T4 II 2 D td A21 IP65 T130°C |
| Einbaulage | beliebig | mounting | in any position |

3/2-Wege Coaxialventil Ex
3/2-way coaxial valve Ex
Baureihe 390
Type 390

| Baureihe type | DN [mm] | Druck pressure range [bar] | Anschluss connection | K _v -Wert flow rate [m ³ /h] | Leistungsaufnahme power consumption [W] | | Gewicht - Messing weight - brass [kg] |
|------------------|------------|----------------------------------|-------------------------|--|---|-----------|---|
| | | | | | 24V DC | 230V 50Hz | |
| 390 | 10 | 0 – 20 | G1/4, G3/8, G1/2 | 2,5 | 23 | 23 | 2,7 |
| 390 | 15 | 0 – 16 | G3/8, G1/2, G3/4 | 5,6 | 30 | 30 | 4,4 |

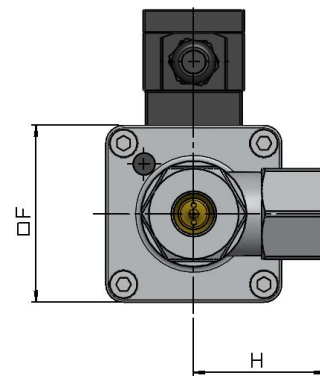
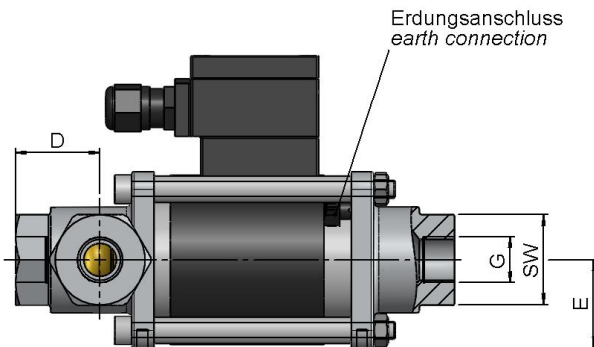
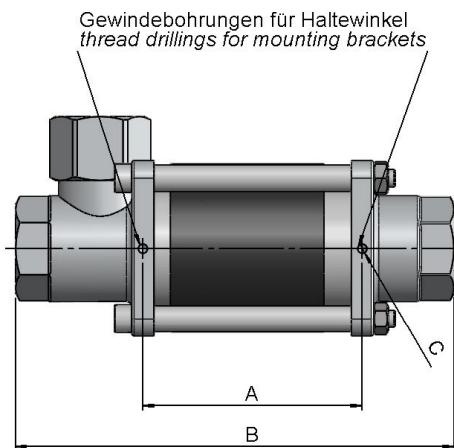
Schnittzeichnung
sectional drawing


| Pos. pos. | Menge quantity | Benennung | description |
|--------------|-------------------|-------------------------|-------------------------|
| 1 | 1 | 2/2-Wege Anschlussstück | 2/2-way adapter fitting |
| 2 | 1 | 2/2-Wege Ventilsitz | 2/2-way valve seat |
| 3 | 1 | Anker | plunger |
| 4 | 1 | Magnet | solenoid |
| 5 | 1 | Feder | spring |
| 6 | 2 | PTFE-Stangendichtung | PTFE-rod seal |
| 7 | 1 | 3/2-Wege Ventilsitz | 3/2-way valve seat |
| 8 | 1 | 3/2-Wege Anschlussstück | 3/2-way adapter fitting |

3/2-Wege Coaxialventil Ex 3/2-way coaxial valve Ex

Baureihe 390
Type 390

Maßzeichnung dimension drawing



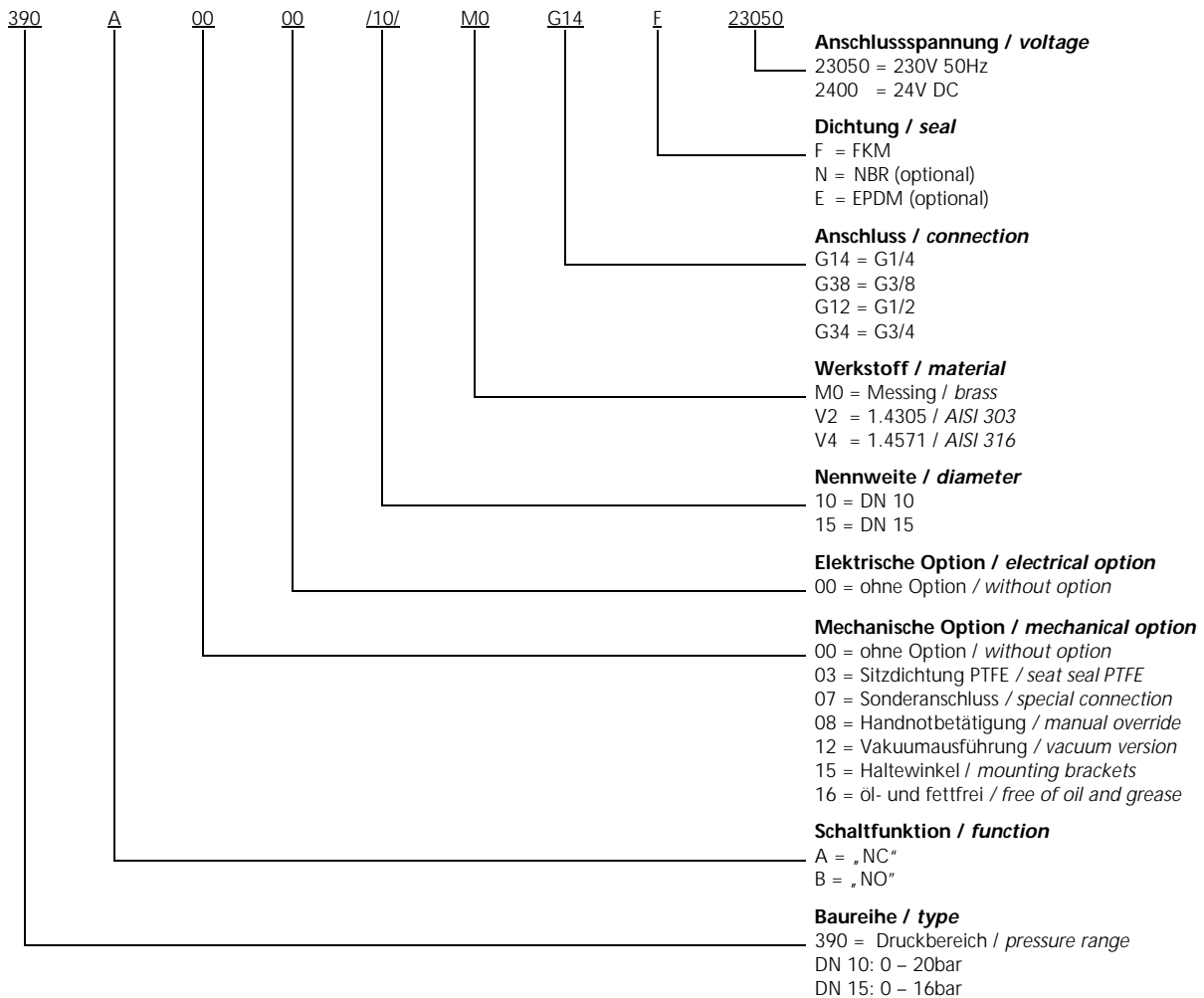
| DN [mm] | G | SW | A [mm] | B [mm] | C | D [mm] | E [mm] | F [mm] | H [mm] |
|------------|---------------|----|-----------|-----------|----|-----------|-----------|-----------|-----------|
| 10 | 1/4, 3/8, 1/2 | 32 | 84 | 166,5 | M4 | 32 | 32,5 | 65 | 37 |
| 15 | 3/8, 1/2, 3/4 | 41 | 100 | 200 | M5 | 38,5 | 40 | 80 | 60 |

3/2-Wege Coaxialventil Ex 3/2-way coaxial valve Ex

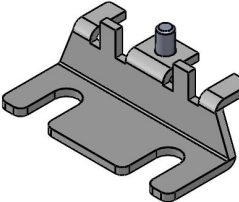
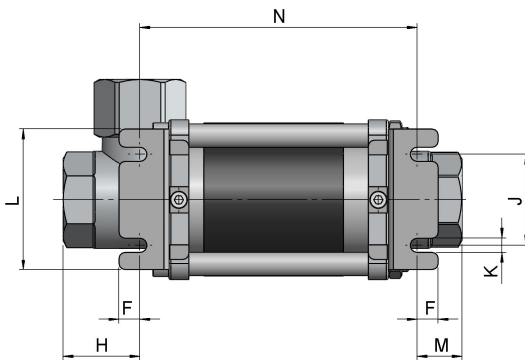
Baureihe 390 Type 390

Typenschlüssel type code

Die Typenbezeichnung setzt sich zusammen aus:
structure of the order specification:



3/2-Wege Coaxialventil Ex
3/2-way coaxial valve Ex
Baureihe 390
Type 390
Zubehör
accessories

|  | <p>Haltewinkel <i>mounting brackets</i></p> <p>mechanische Option = 15 <i>mechanical option = 15</i></p> |  | | | | | | | | | | | | | | | | | | | | | | | | | | | | | | | | |
|---|--|---|------|------|------|------|-------|---|---|---|------|------|------|------|------|------|------|------|----|----|------|----|---|----|------|-------|----|------|------|----|---|----|------|-----|
| | | <table border="1" style="margin: auto; border-collapse: collapse;"> <thead> <tr> <th>DN</th> <th>F</th> <th>H</th> <th>J</th> <th>K</th> <th>L</th> <th>M</th> <th>N</th> </tr> <tr> <th>[mm]</th> <th>[mm]</th> <th>[mm]</th> <th>[mm]</th> <th>[mm]</th> <th>[mm]</th> <th>[mm]</th> <th>[mm]</th> </tr> </thead> <tbody> <tr> <td>10</td> <td>10</td> <td>30,5</td> <td>30</td> <td>7</td> <td>50</td> <td>23,5</td> <td>112,5</td> </tr> <tr> <td>15</td> <td>10,5</td> <td>38,5</td> <td>45</td> <td>7</td> <td>70</td> <td>22,5</td> <td>139</td> </tr> </tbody> </table> | DN | F | H | J | K | L | M | N | [mm] | [mm] | [mm] | [mm] | [mm] | [mm] | [mm] | [mm] | 10 | 10 | 30,5 | 30 | 7 | 50 | 23,5 | 112,5 | 15 | 10,5 | 38,5 | 45 | 7 | 70 | 22,5 | 139 |
| DN | F | H | J | K | L | M | N | | | | | | | | | | | | | | | | | | | | | | | | | | | |
| [mm] | [mm] | [mm] | [mm] | [mm] | [mm] | [mm] | [mm] | | | | | | | | | | | | | | | | | | | | | | | | | | | |
| 10 | 10 | 30,5 | 30 | 7 | 50 | 23,5 | 112,5 | | | | | | | | | | | | | | | | | | | | | | | | | | | |
| 15 | 10,5 | 38,5 | 45 | 7 | 70 | 22,5 | 139 | | | | | | | | | | | | | | | | | | | | | | | | | | | |

Weitere Optionen und Zubehör stimmen wir gerne auf Ihre Anforderungen ab.
We gladly coordinate further options and accessories according to your requirements.